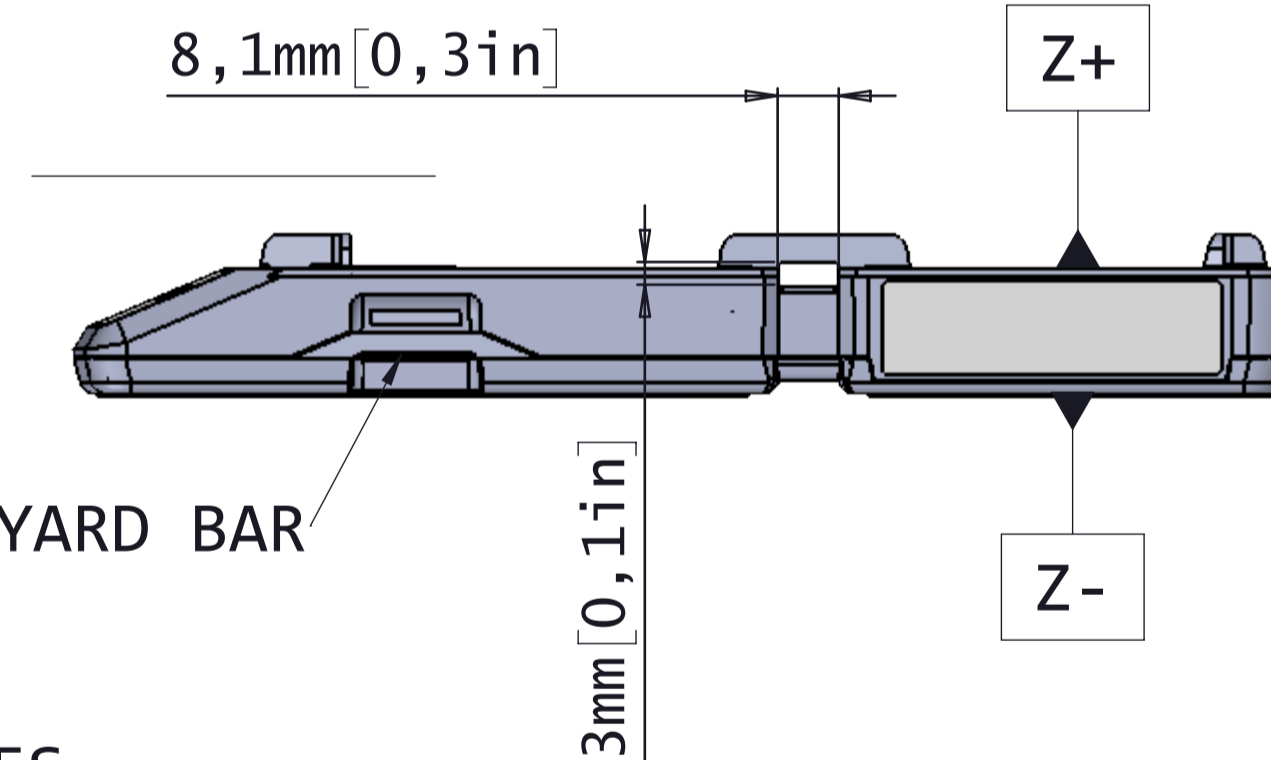
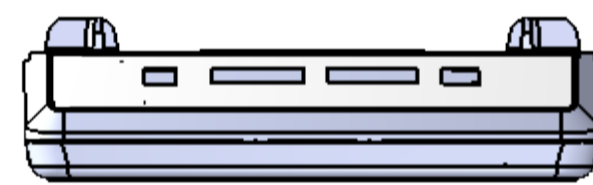
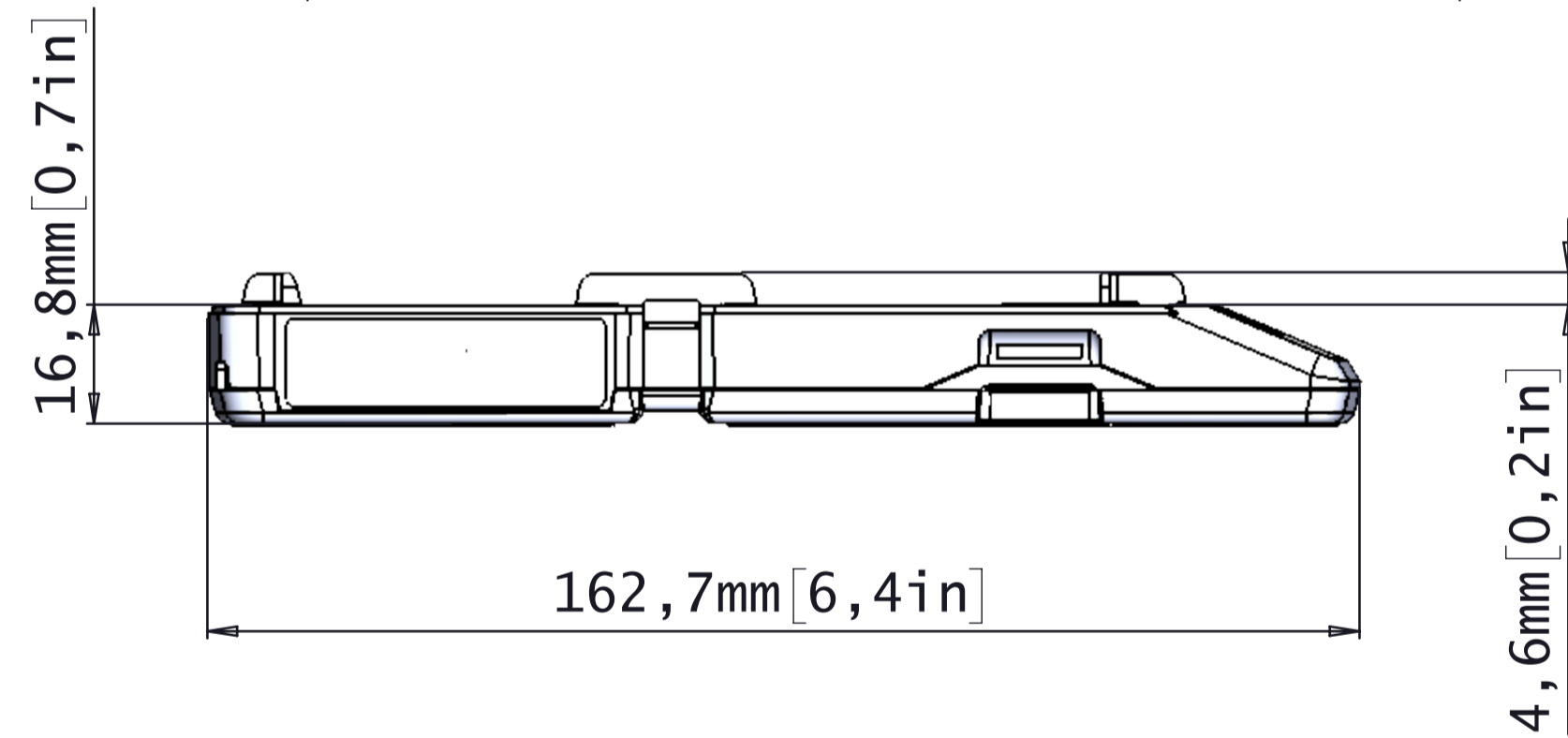
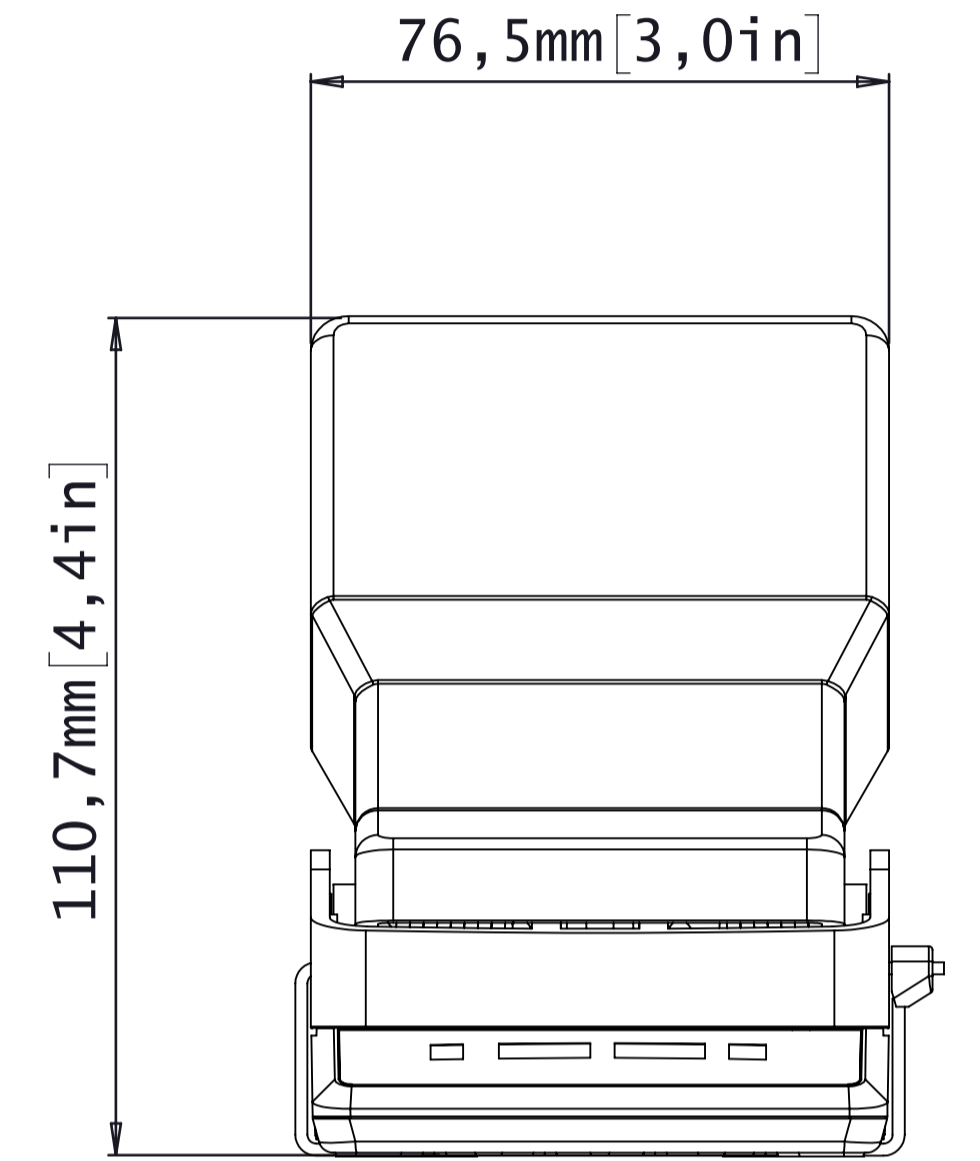
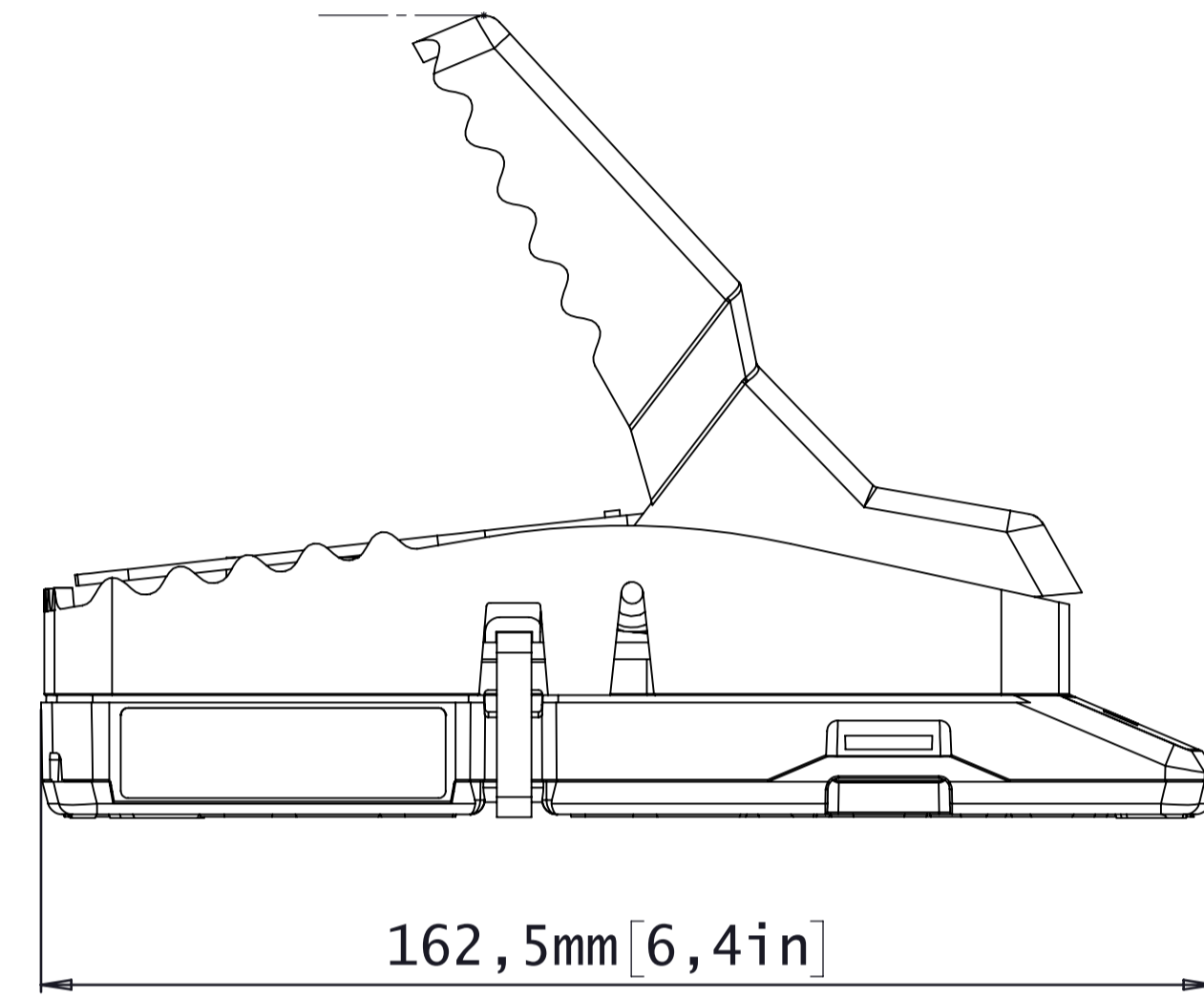
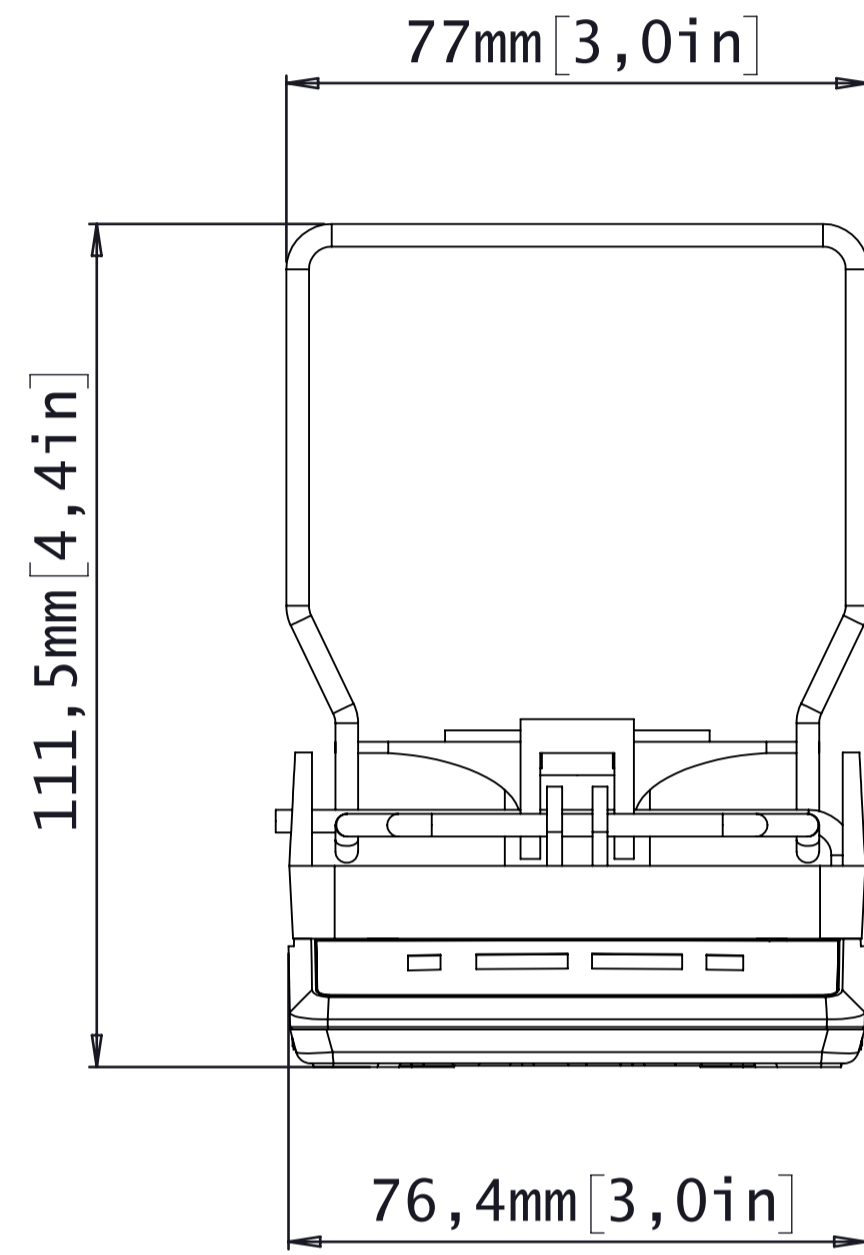
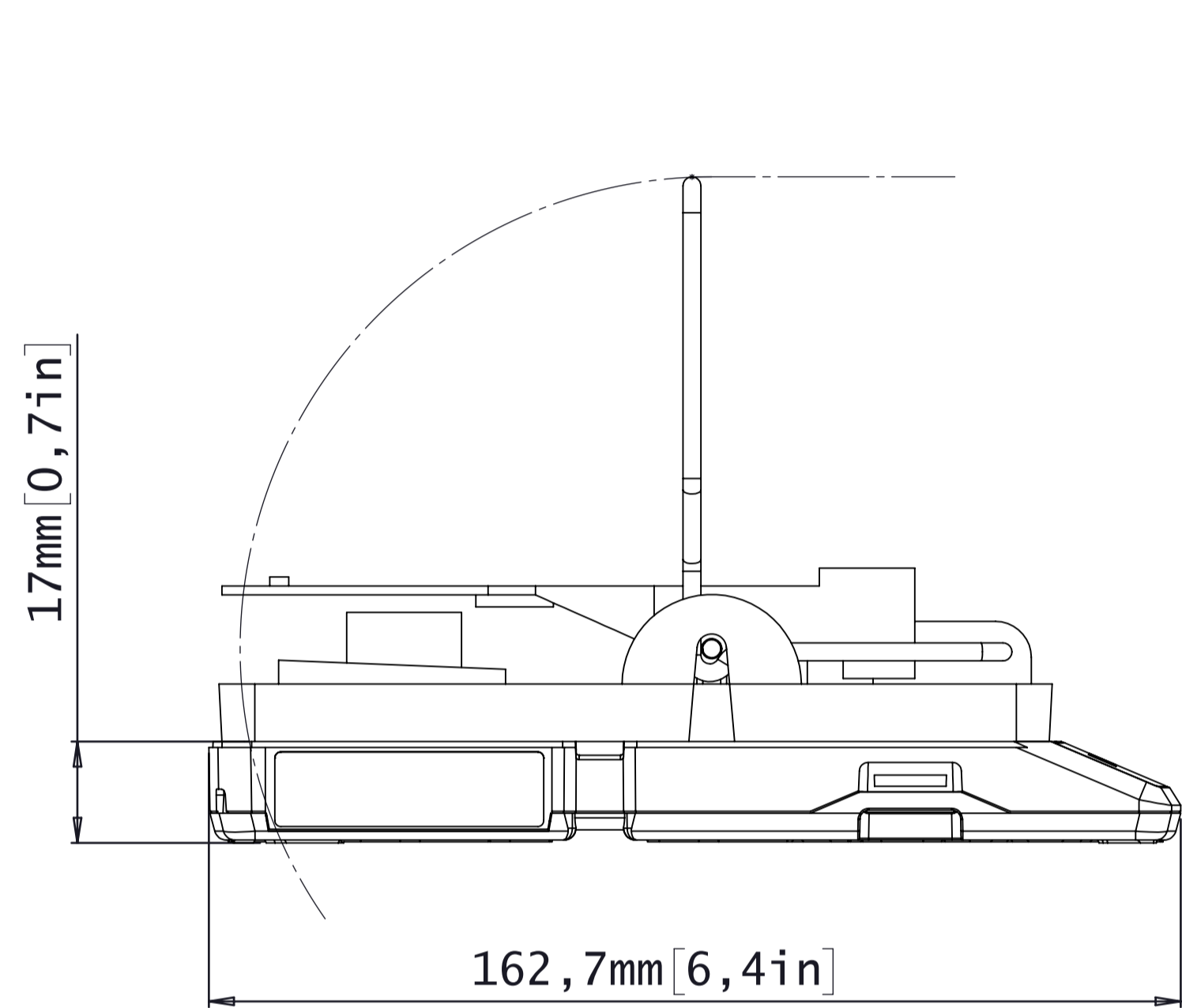
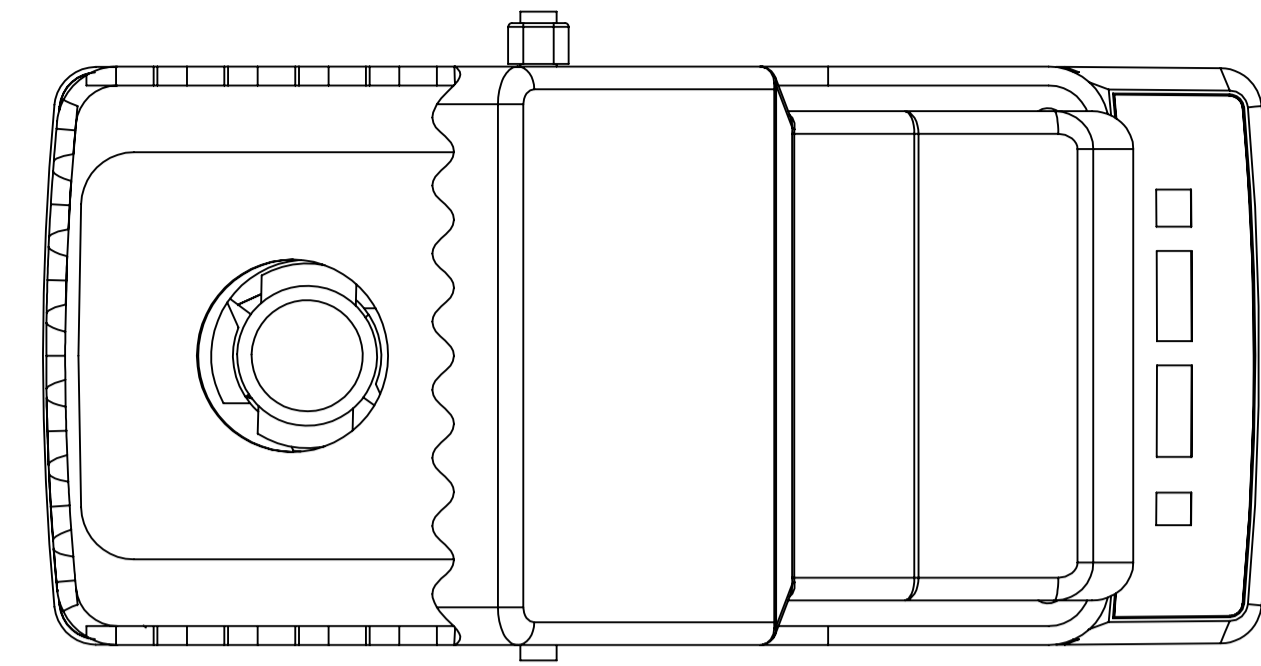
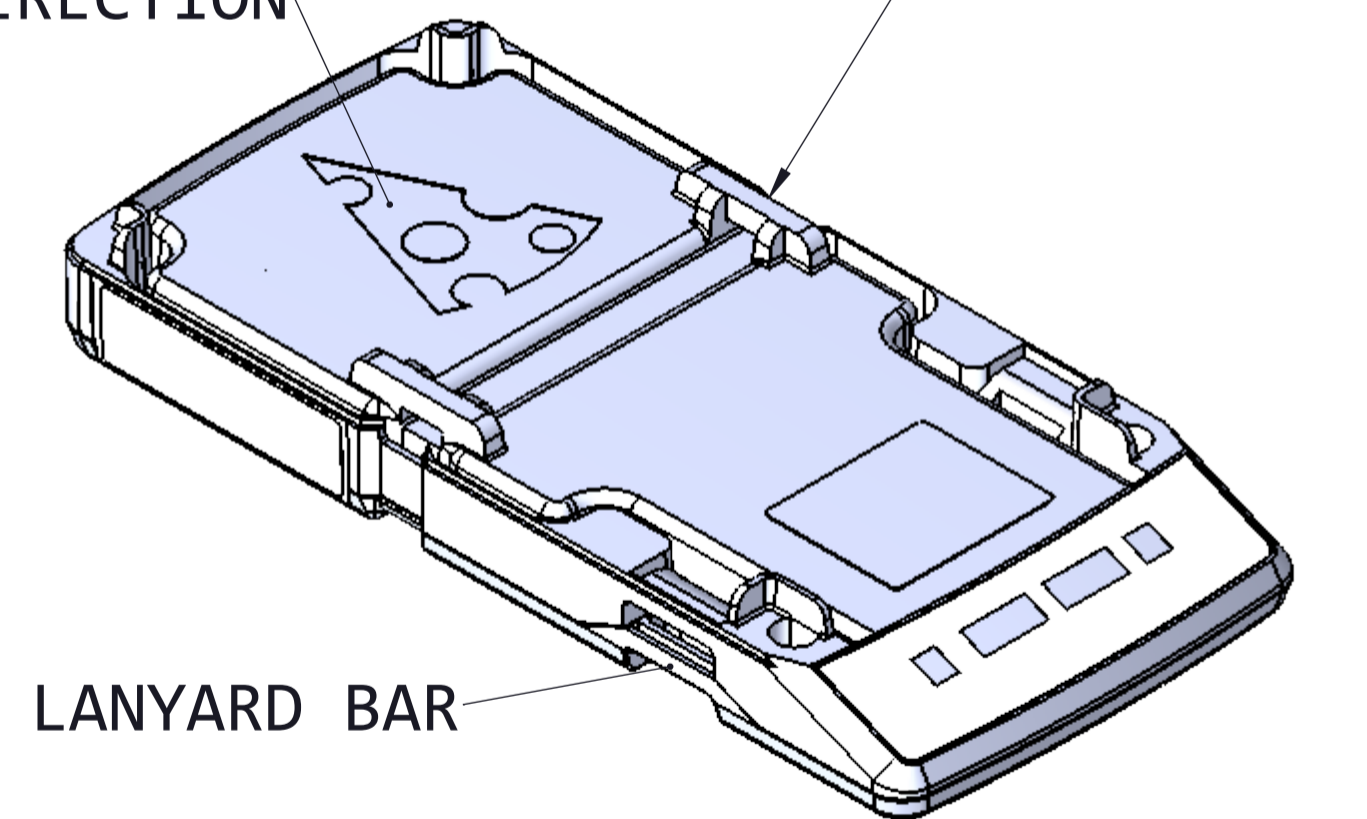


HOLES FOR WIRE OR SCREW MOUNTING TRAP IN PLACE

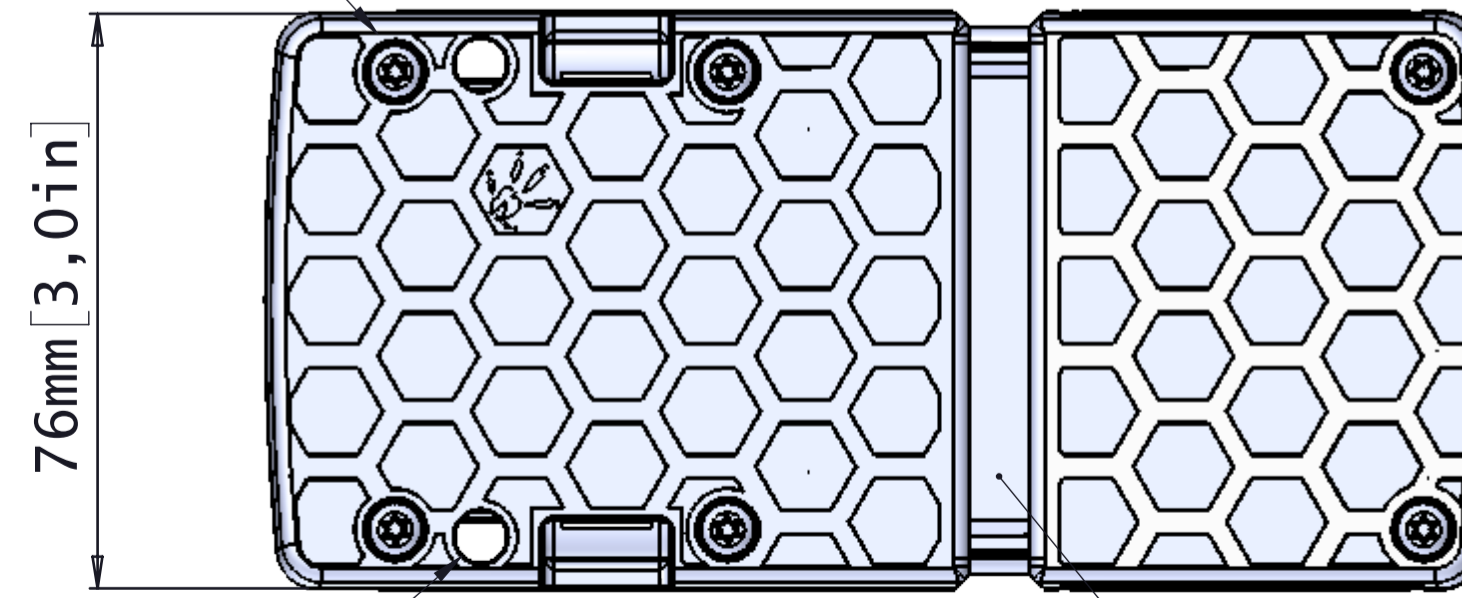
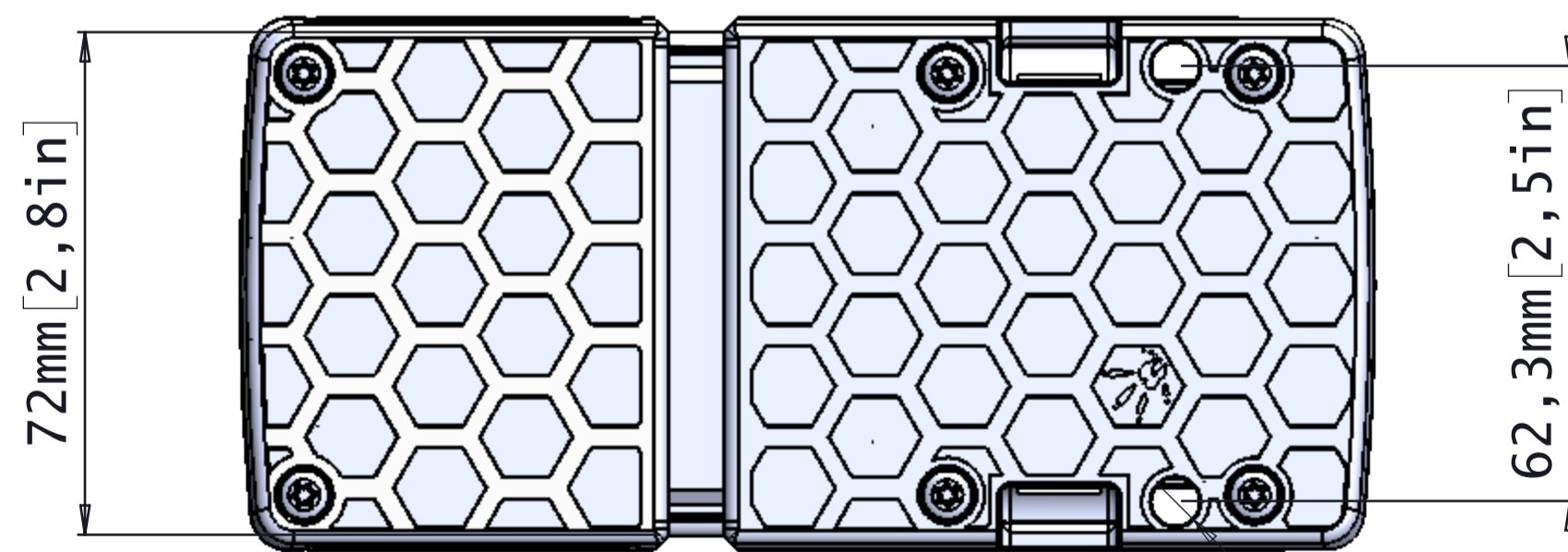


SENSOR ZONE IN Z DIRECTION

TIE ANCHOR



6 SCREWS TO ACCESS BATTERIES



PIN DOWN HOLES

TIE CHANNEL

NOTE :
 RECOMENDED BATTERIES INDUSTRIAL AA
 RECOMENDED CABLE TIE LENGTH 300M
 RECOMENDED TRAPS - BELL T-REX (5/5)
 KNESS BIG E (4/5)
 FOR RECOMENDED CAGE TRAPS SEE USER INSTRUCTIONS CAN BE FOUND ON WEB PAGE

NOTE: FOR CAGE MOUNTING USE A CABLE TIE TO ATTACH THE TRAP TO THE CAGE. FOR BEST RESULTS ENSURE THE SHOCK FROM THE DOOR GOES THROUGH THE RATMO IN THE Z DIRECTION (SEE DRAWING)

NOTE : FOR TRAPS FIXED USING THE PIN DOWN HOLES USE MAX Ø 4mm SCREWS. FOR BEST RESULTS DO NOT FASTEN THE TRAP DOWN 100% THE TRAP SHOULD BE LOOSE AND BE ABLE TO BE LIFTED 12MM AT THE CHEESE.

Name: Arctic Systems ApS		Project Name: Captain Morgan		Checked: RB 05/10/2018	
Device: BATTERIES - 3 x AA		Date: 05/10/2018		Project No. CPM01	
Weight: 189g		Material: IMPACT RESISANTANT PC Cover		Mass: 189g	
Description: RATMO V14.1 DIMENSIONS		Number: 0146-01-101		Scale: 1:1	
Unit: mm		Status: RELEASE		Format: A1	
E-mail: contact@arctic-systems.com		Number: 0146-01-101		Rev: 14.1	
CVR: 37598194		Description: RATMO V14.1 - TRAPS-INTERFACE		Sheet 1 of 1	